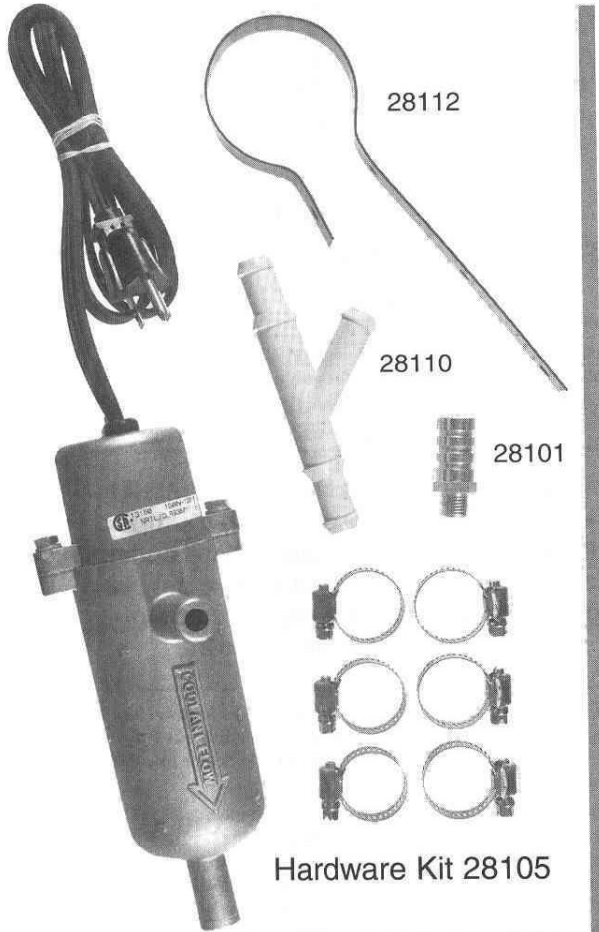




INTRODUCING THE NEW IMPROVED CIRCULATING TANK HEATER



28112




28110

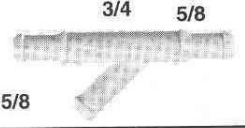
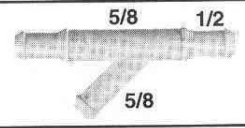
28101

Hardware Kit 28105

- Made of die cast aluminum
 - Corrosion and impact resistant
 - Recyclable
- One piece molding
 - Eliminates possibility of leaks
- Tapered outlet design, pushes coolant more efficiently than other styles
- Available in 850W 1000W 1500W and 2000W 120V and 240V
- Thermostatically controlled 135° - 175°
- 5' HPN 105°C cord
- Uses versatile strap type mounting
- CSA approved

ADDITIONAL ACCESSORIES

1/4 X 1/8		Part # 28103
1/4 X 3/8		Part # 28104
1/2 X 5/8		Part # 28108
		Part # 28109

	Part #28110
	Part #28111